

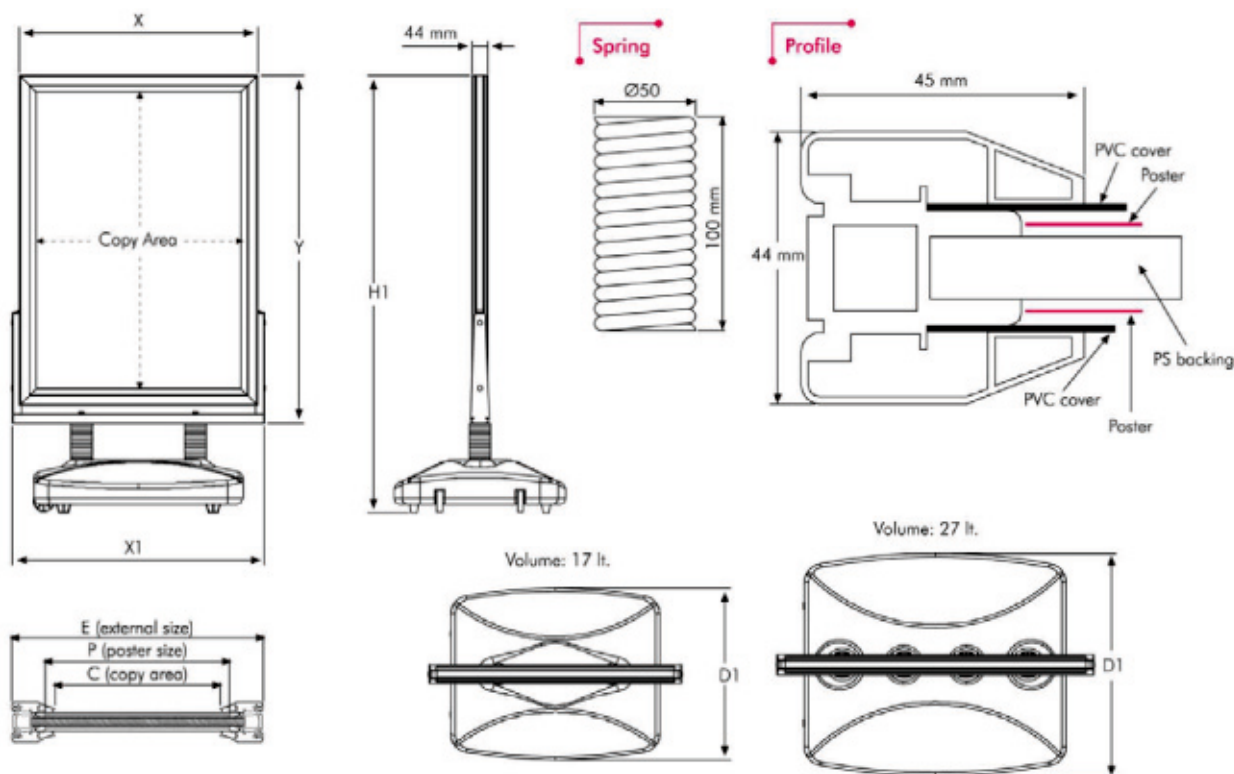
WATERBASE WIND SIGN

WATERBASE WIND SIGN

MATERIAL : Silver anodised aluminium					WEIGHT		PACKING SIZE
ARTICLE	EXTERNAL (x-y)	POSTER	COPY	H1	WITHOUT PACKING	WITH PACKING	*W X H X D
UWWMO00NA1	666 X 913 mm	594 X 841 mm	576 X 823 mm	1220 mm	11,250 kg	12,100 kg	1220 X 720 X 75 mm
UWWMO00NA0	913 X 1261 mm	841 X 1189 mm	823 X 1171 mm	1600 mm	15,700 kg	18,300 kg	1550 X 1000 X 75 mm
UWWMO00NB2	572 X 772 mm	500 X 700 mm	482 X 682 mm	1080 mm	8,330 kg	9,500 kg	1050 X 650 X 75 mm
UWWMO00NB1	772 X 1072 mm	700 X 1000 mm	682 X 982 mm	1415 mm	13,680 kg	15,000 kg	1420 X 850 X 75 mm
UWWMO00N23	580 X 834 mm	508 X 762 mm	490 X 744 mm	1140 mm	8,200 kg	9,950 kg	1100 X 630 X 75 mm
UWWMO00N34	834 X 1088 mm	762 X 1016 mm	744 X 998 mm	1430 mm	14,750 kg	16,000 kg	1420 X 900 X 75 mm

BASE				WEIGHT		PACKING SIZE
ARTICLE	X1	D1	SPRINGS	WITHOUT PACKING	WITH PACKING	*W X H X D
UWWMO00NA1	706 mm	470 mm	2	7,000 kg	7,750 kg	500 X 600 X 170 mm
UWWMO00NA0	953 mm	570 mm	2	7,000 kg	7,750 kg	600 X 700 X 210 mm
UWWMO00NB2	612 mm	470 mm	2	5,000 kg	6,750 kg	500 X 600 X 170 mm
UWWMO00NB1	812 mm	570 mm	2	7,000 kg	7,750 kg	600 X 700 X 210 mm
UWWMO00N23	620 mm	470 mm	2	5,000 kg	6,750 kg	500 X 600 X 170 mm
UWWMO00N34	874 mm	570 mm	2	7,000 kg	7,750 kg	600 X 700 X 210 mm

*W:Width H: Height D: Depth



The product is packed unassembled. Waterbase of A2, A1, 500x700 mm 20 kg.

Waterbase of A0, 700x1000 mm 33 kg.

Verpackt wird er unmontiert. Das Gewicht von Waterbes A2, A1, 500x700 ist 20 kg.

Das Gewicht von Waterbes A0, 700x1000 ist 33 kg.

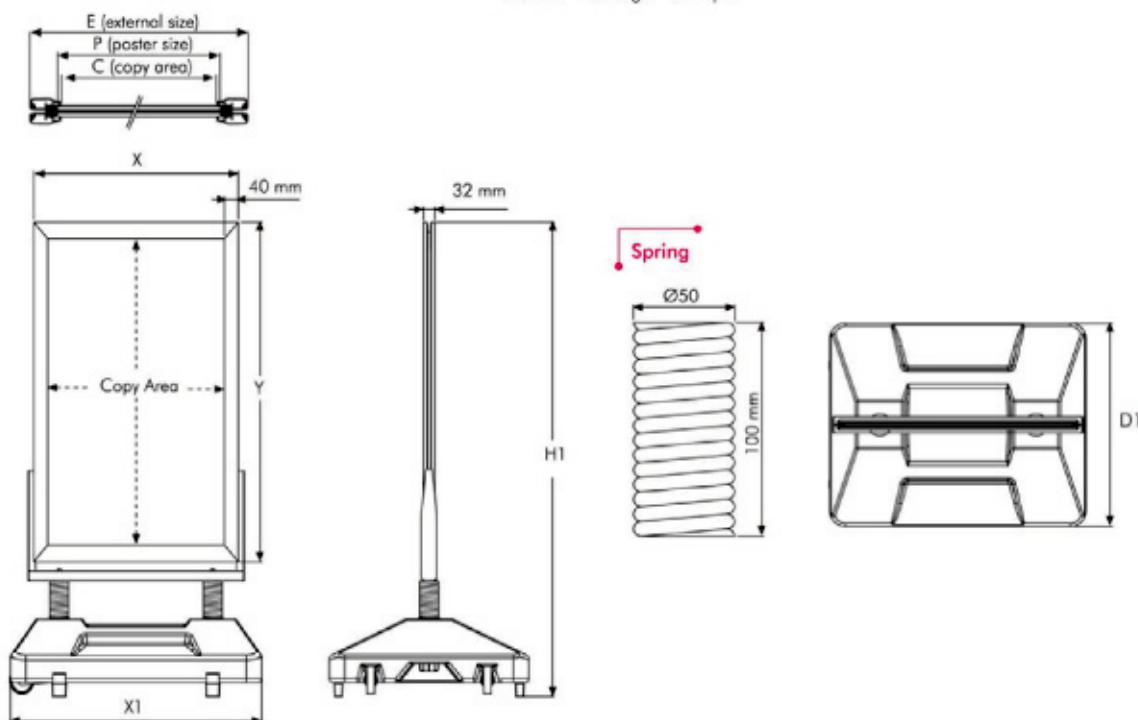
ECO WATERBASE WIND SIGN

ECO WATERBASE WIND SIGN

MATERIAL : Silver anodised aluminium					WEIGHT		PACKING SIZE
ARTICLE	EXTERNAL (x-y)	POSTER	COPY	H1	WITHOUT PACKING	WITH PACKING	*W X H X D
UEWM000NA2	492 X 666 mm	420 X 594 mm	402 X 576 mm	1015 mm			
UEWM000NA1	666 X 913 mm	594 X 841 mm	576 X 823 mm	1275 mm			
UEWM000NA0	913 X 1261 mm	841 X 1189 mm	823 X 1171 mm	1650 mm			
UEWM000NB2	572 X 772 mm	500 X 700 mm	482 X 682mm	1125 mm			
UEWM000NB1	772 X 1072 mm	700 X 1000 mm	682 X 982 mm	1430 mm			
UEWM000N23	580 X 834 mm	508 X 762 mm	490 X 744 mm	1185 mm			
UEWM000N34	834 X 1088 mm	762 X 1016 mm	744 X 998 mm	1450 mm			

BASE				WEIGHT		PACKING SIZE
ARTICLE	X1	D1	SPRINGS	WITHOUT PACKING	WITH PACKING	*W X H X D
UEWM000NA2	700 mm	550 mm	2			
UEWM000NA1	820 mm	650 mm	2			
UEWM000NA0	820 mm	650 mm	2			
UEWM000NB2	700 mm	550 mm	2			
UEWM000NB1	820 mm	650 mm	2			
UEWM000N23	700 mm	550 mm	2			
UEWM000N34	820 mm	650 mm	2			

*W:Width H: Height D: Depth



The product is packed unassembled. Waterbase of A2, A1, 500x700 mm 20 kg.

Waterbase of A0, 700x1000 mm 33 kg.

Verpackt wird er unmontiert. Das Gewicht von Waterbes A2, A1, 500x700 ist 20 kg.

Das Gewicht von Waterbes A0, 700x1000 ist 33 kg.