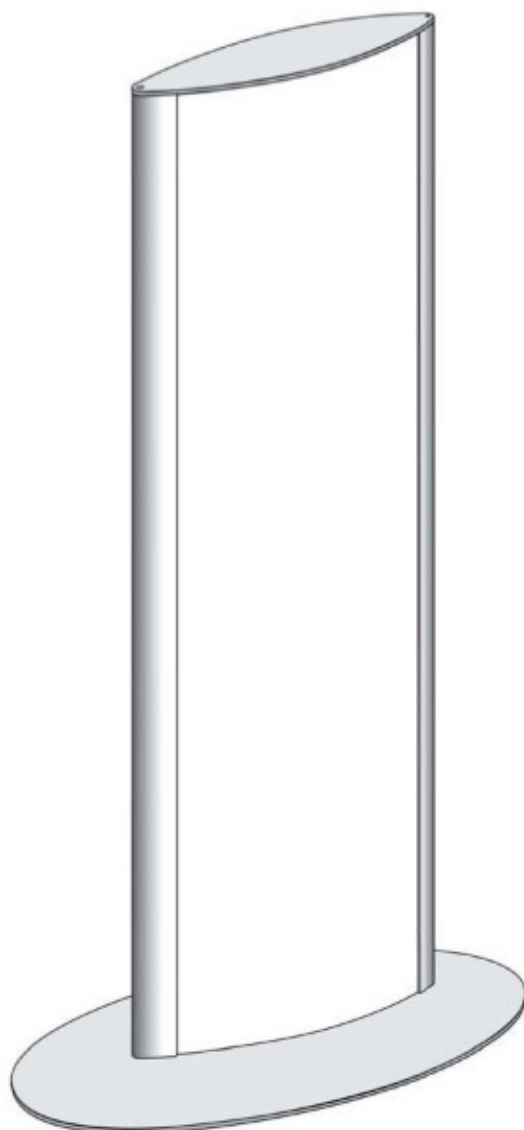


Frankfurt Indoor stands



Frankfurt indoor stands are supplied with covers and base plates in slate gray and the area for the sign information in pure white (2 mm plastic) as standard.

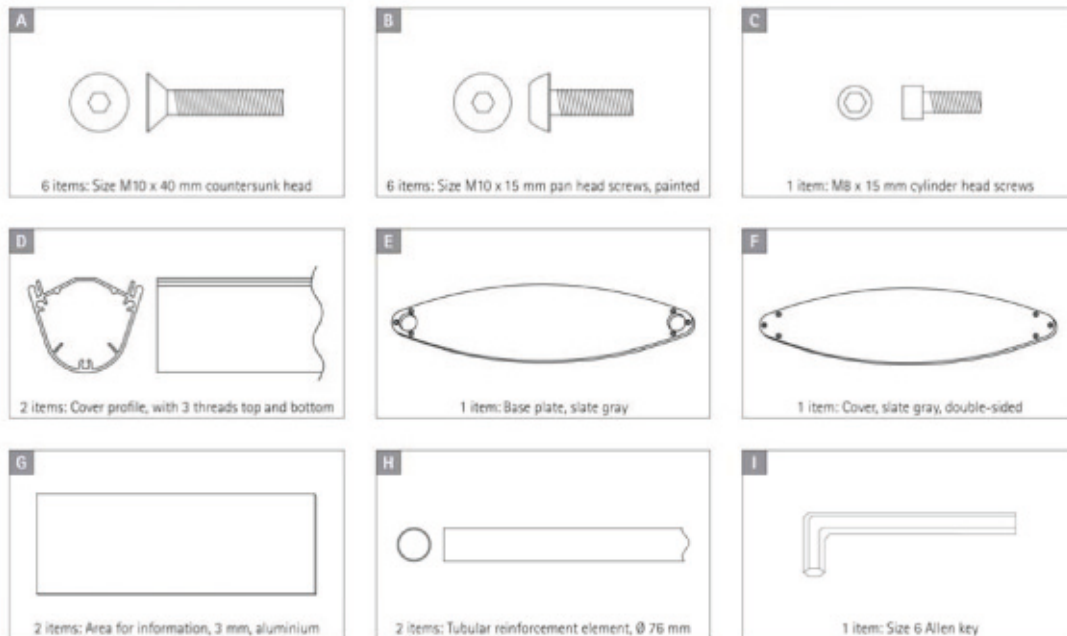
The stand sign is portable and the sign information, protected by an acrylic cover (1 mm, transparent), can be exchanged with ease. The indoor stand can be used on either one or both sides.

The sign information can be applied either with plotter lettering, paper inlays or digital printing.

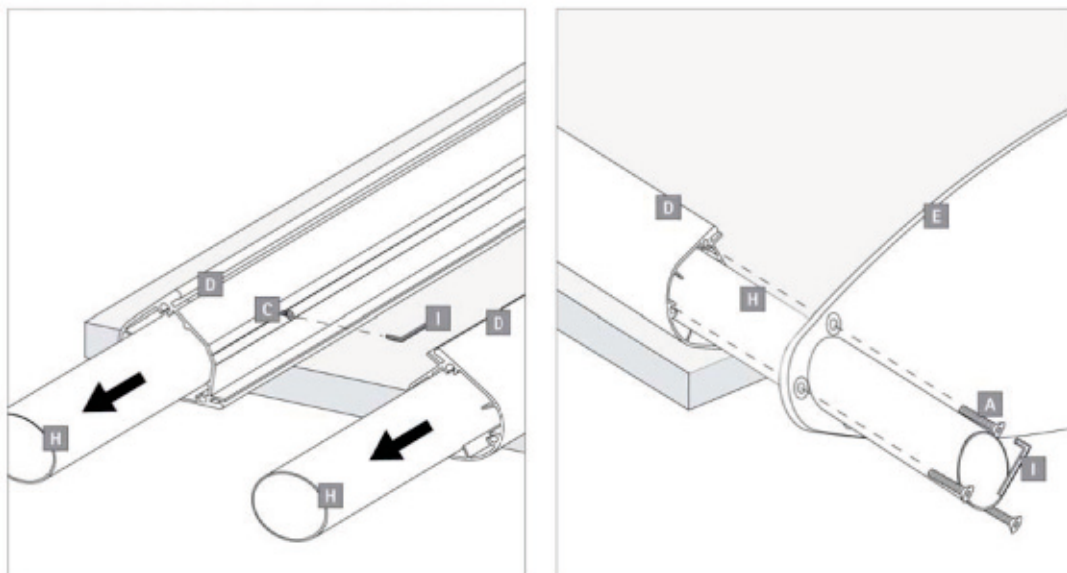
Sign size height x width in mm	Area for information height x width in mm	Lighting height in mm	Art. No.
1500 x 380	1500 x 297 (DIN A4 landscape)		i 2121
1800 x 500	1800 x 420 (DIN A3 landscape)		i 2120
2000 x 675	2000 x 594 (DIN A2 landscape)		i 2119
Illuminated on both sides with innovative low-voltage LED system (12 V), including plug-in power pack.			
1500 x 380	1500 x 297 (DIN A4 landscape)	1220	i 2122
1800 x 500	1800 x 420 (DIN A3 landscape)	1520	i 2123
2000 x 675	2000 x 594 (DIN A2 landscape)	1820	i 2124

Special sizes on request.

Items supplied for outdoor stand

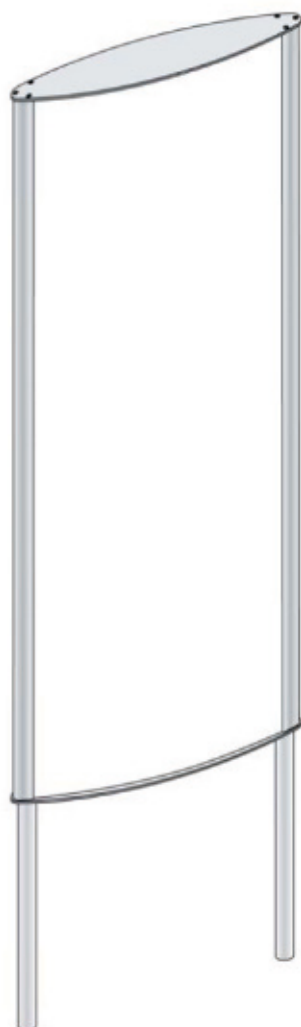


Installation instructions for the outdoor stand



1. Place the cover profile **D** on a worktop.
2. Undo the locking screw **C** with the Allen key **I** and pull the tubular reinforcement element **H** approx. 500 mm out of the profile **D**. Repeat for the other profile
3. Place the profile **D** with the retracted tubular reinforcement element **H** on your worktop so that you can slide the base plate **E** onto the tubular reinforcement element.
4. Fasten the base plate **E** to the profile **D** using the screws **A** with the aid of the Allen key **I**.

Frankfurt Outdoor stands



The Frankfurt outdoor stand – comprising two silver-anodized aluminium profiles (3 mm thick) and two convex curved aluminium panels (painted in RAL 9016 traffic white or RAL 9006 aluminium white) – completes the Frankfurt system by covering outdoor applications as well. The two ready-shaped convex surfaces for the sign information are slid into the outer profiles and then permanently connected together by the cover and the base plate (both painted in RAL 7011 slate-gray).

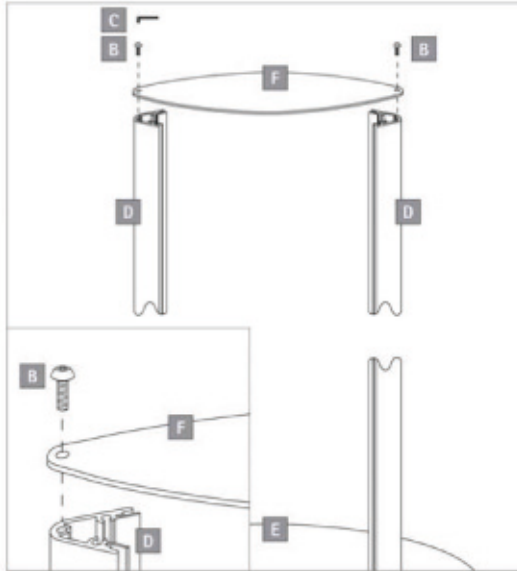
This simple means of installing the stand is rounded off with the 500 mm longer galvanized steel tubes included in delivery.

These are inserted in the aluminium profiles through the base plate to provide the rigidity required and to make it easier to install on the ground.

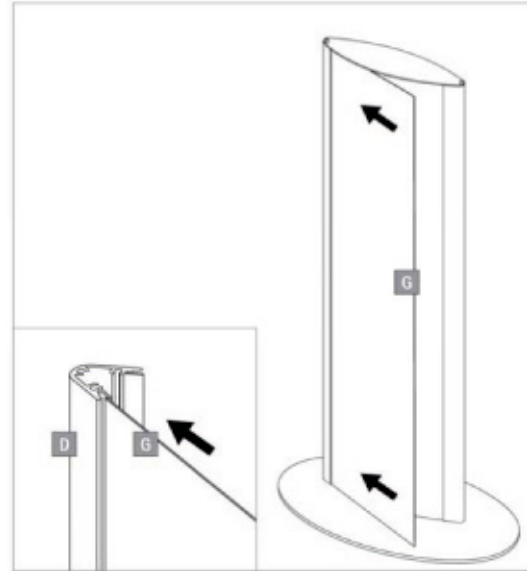
The Frankfurt outdoor stand is suitable for ground installation only.

Sign size height x width in mm	Area for information height x width in mm	Art. No.	
		RAL 9016 traffic white	RAL 9006 silver
1500 x 1085	1500 x 890	i 2160	i 2160 F18
2000 x 1085	2000 x 890	i 2161	i 2161 F18
2500 x 1085	2500 x 890	i 2162	i 2162 F18
3000 x 1085	3000 x 890	i 2163	i 2163 F18
3500 x 1085	3500 x 890	i 2164	i 2164 F18
1500 x 1326	1500 x 1140	i 2170	i 2170 F18
2000 x 1326	2000 x 1140	i 2171	i 2171 F18
2500 x 1326	2500 x 1140	i 2172	i 2172 F18
3000 x 1326	3000 x 1140	i 2173	i 2173 F18
2000 x 1572	2000 x 1390	i 2181	i 2181 F18
2500 x 1572	2500 x 1390	i 2182	i 2182 F18
3000 x 1572	3000 x 1390	i 2183	i 2183 F18
Illuminated on both sides, including lighting			
1500 x 1085	1500 x 890	i 2165	

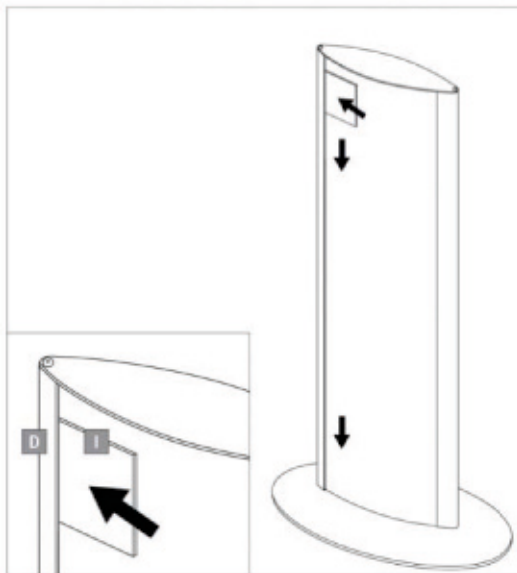
Installation instructions for the indoor stand (continued)



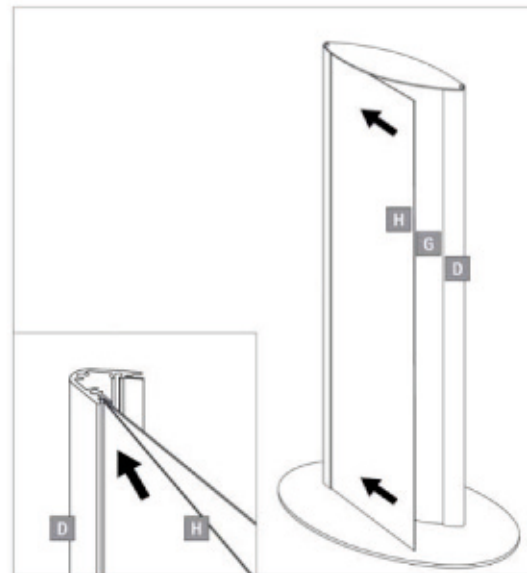
5. Then place the stand on the base plate **E**.
6. Fasten the cover using the fillister head screws **B**. Use the Allen key **C** to do so.



7. Pick up the area for information **G** and insert it in the cover profile **D**.
8. When it has latched on at the side, bend the area for information **G** to insert it in the opposite side as well.

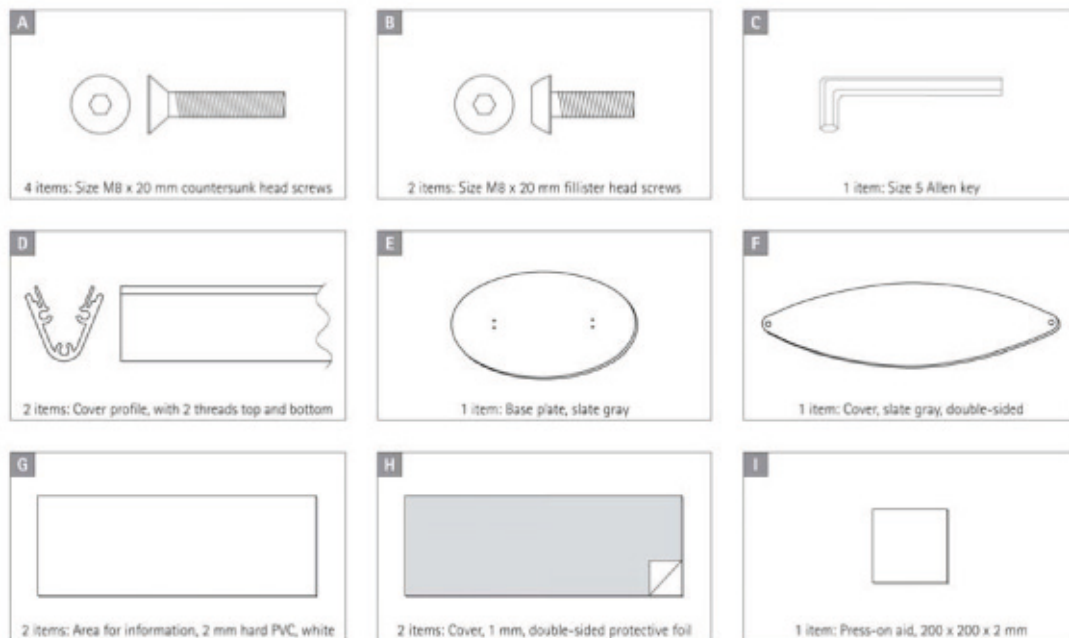


9. Then insert the small press-on aid **I** between the cover profile **D** and the area for information **G**.
10. Pull the press-on aid **I** down from the top to bottom to get the area for information into the correct position.
11. Repeat these steps for the second side.

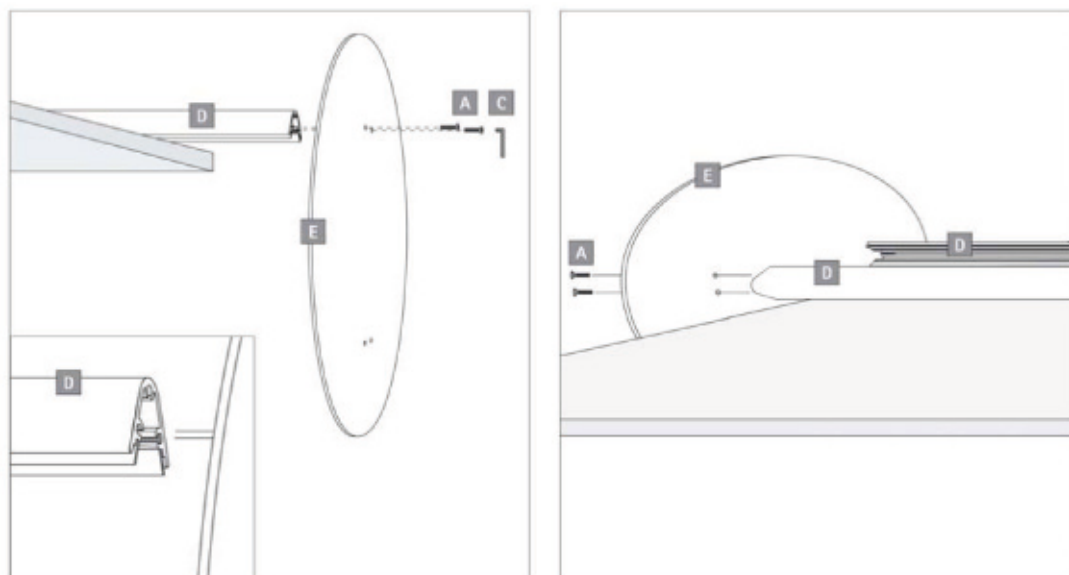


12. Then remove the protective foil from the cover **H**.
13. Insert the cover **H** in the cover profile **G** in front of the area for information **D**.
14. Bend the cover **H** to insert the second side in the profile **D** as well.

Items supplied for indoor stand

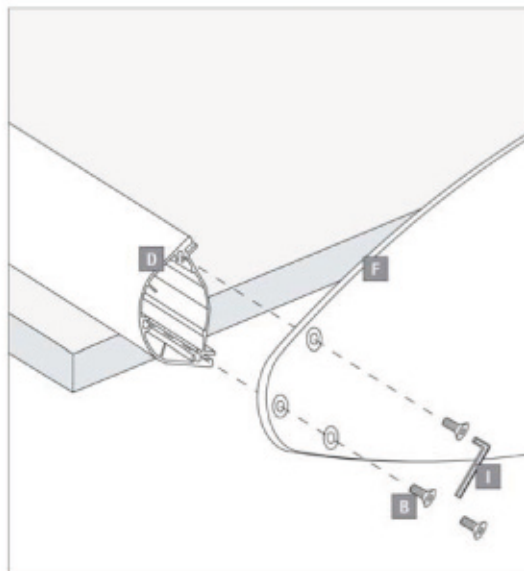


Installation instructions for the indoor stand

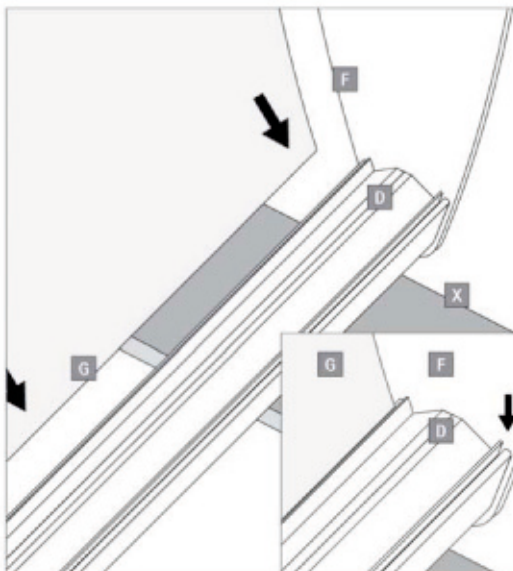


1. Place the cover profile **D** on a worktop.
2. Fasten the cover profile **D** to the base plate **E** with the countersunk head screws **A**. Use the Allen key **C** to do so.
3. Place the assembled base plate **E** and the cover profile **D** on your worktop so that you can fit the second profile **D**.
4. To do so, use the countersunk head screws **A** and the supplied Allen key **C**.

Installation instructions for the outdoor stand (continued)

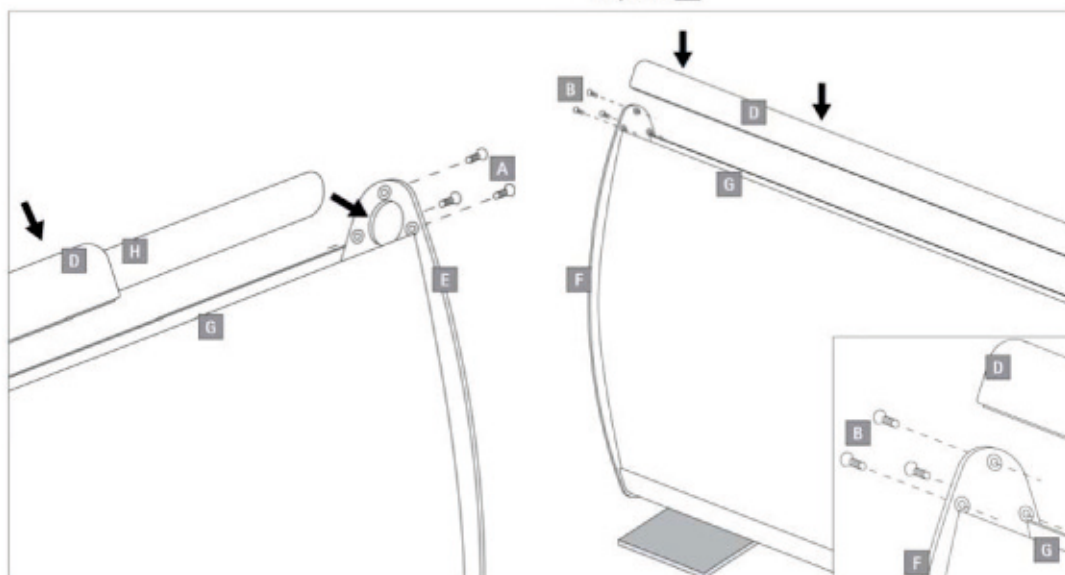


5. Then turn the edge profile **D** so that the cover **F** can be fastened using the screws **B** with the aid of the Allen key **I**.



6. Place a board or other similar object **X** beneath the edge profile **D**, so that the base plate **E** and cover **F**, which are already in place, can be aligned.

7. Then feed the area for information **G** into the groove in the profile **D**. Repeat for the second area for information **G**.



8. Then feed the second profile **D** with the projecting tubular reinforcement element **H** through the base plate **E**.

9. Guide the area for information together with the second edge profile so that the area for information **G** fits into the provided grooves in the edge profile **D**.

10. Use the Allen key **I** to fasten:
 - the base plate **E** to the profile **D** using the screws **A** and
 - the cover **F** to the profile **D** using the screws **B**.