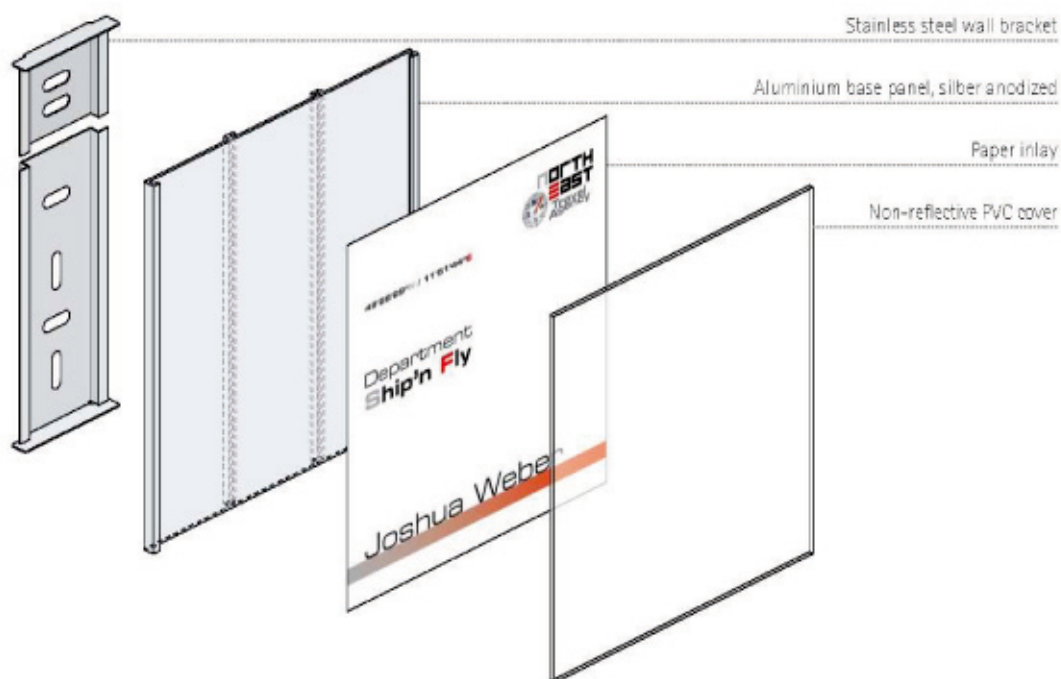


Oslo Door Sign / Directory for wall mounting



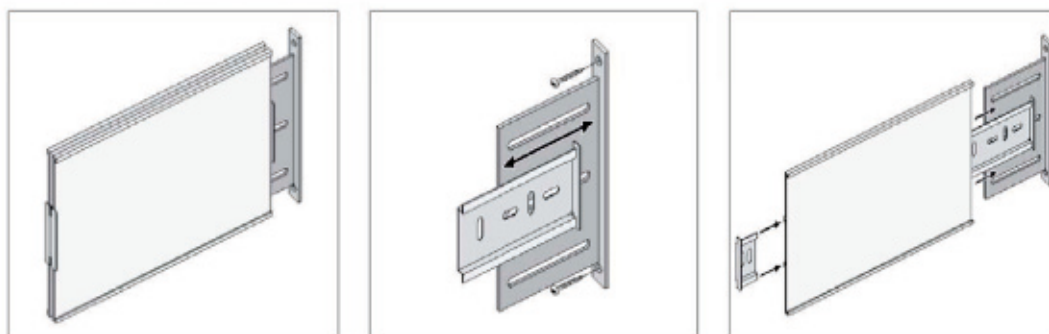
Sign size height x width in mm		Sign information area height x width in mm	Art. No.
73 x 151	door sign 75	73 x 144	2601
148 x 151	door sign 150	148 x 144	2600
210 x 151	DIN A5 portrait	210 x 144	2605
148 x 213	DIN A5 landscape	148 x 206	2615
148 x 300	safety signs	148 x 293	2630
297 x 213	DIN A4 portrait	297 x 206	2604
210 x 300	DIN A4 landscape	210 x 293	2614
420 x 300	DIN A3 portrait	420 x 293	2603

Oslo Directory for Projecting

For sign information on both sides (e.g. with safety symbols or paper inlays), including adapter.

Sign size	Area for information	Area for information		
height x width in mm	height x width in mm	tion		
151 x 148	144 x 148	i 2651		

Sign information and installation



The sign is installed by screwing two screws* through the holes to fasten it to the wall.

Like the door sign and the directory, you produce the sign information for the Oslo projecting sign yourself on the computer using a paper inlay. In addition, it is ideally suitable for safety signs.

* Assembly material for wall mounting (screws and dowels) not included in delivery.

Oslo Directory for suspending from the ceiling

For sign information on both sides, including two 1.5 m steel cords and press-on lugs.

Sign size	Area for information	Art. No.		
height x width in mm	height x width in mm			
151 x 297	144 x 297	i 2640		

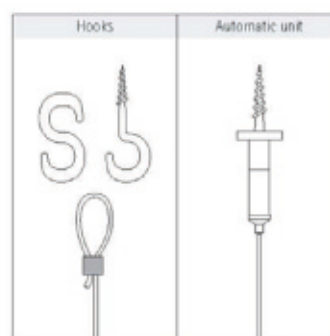
Accessories	Art. No.		
Automatic unit (instead of hooks)	i 7732 *		

* Two automatic units are required per sign. The automatic unit is described on page 96.

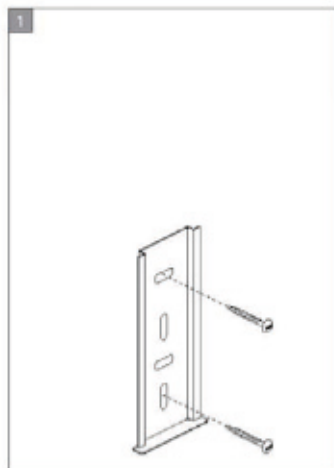
Sign information and installation



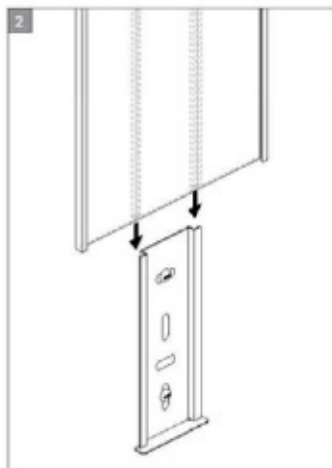
The sign can be fastened to the ceiling either with conventional hooks or an automatic ceiling fastening system. The automatic device permits the sign to be adjusted retroactively so that if it is not straight or there are any differences in the length of the cord, these can be corrected with ease.



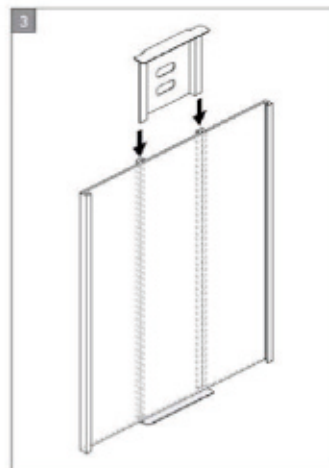
Installation



Fasten the lower installation bracket to the wall with two screws*.
Recommendation: Pan head, 3.5 x 40 mm.



Slide the sign base onto the bracket.

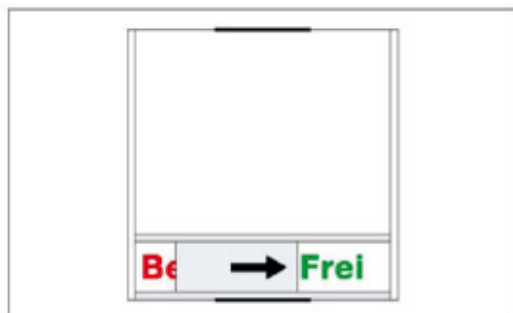


Slide the upper bracket into the guides on the back of the sign base.

* Assembly material for wall mounting (screws and dowels) not included in delivery.

Oslo Vacant/occupied" slider

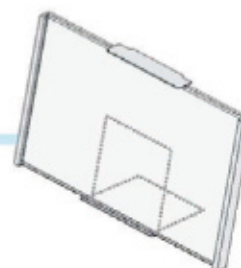
Accessories	Format in mm	Art. No.
"Vacant/occupied" slider	36 x 144	i 26fb144



The "Vacant/occupied" option is a plastic slider (height 36 mm), painted in RAL 9006. Includes sign information in red and green.

Oslo Table-top sign

Mounted on an aluminium angle section.



Sign size height x width in mm	Area for information height x width in mm	Art. No.
73 x 151	73 x 144	i 2610

Oslo Paper inlays, sign information and accessories

Paper inlays * height x width in mm		Art. No. pure white	Art. No. silver	Unit pack
72,5 x 147,5	for door sign 75	i 2601 - 100P **		10 items
		i 2601 - 0P **	i 2601 - 0SP **	50 items
147,5 x 147,5	for door sign 150	i 2600 - 100P **		10 items
		i 2600 - 0P **	i 2600 - 0SP **	50 items
209,5 x 147,5	for DIN A5	i 2605 - 100P **		10 items
		i 2605 - 0P **	i 2605 - 0SP **	50 items
147,5 x 296,5	for safety symbols	i 2630 - 0P **	i 2630 - 0SP **	10 items
296,5 x 209,5	for DIN A4	i 2604 - 0P	i 2604 - 0SP	10 items
419,5 x 296,5	for DIN A3	i 2603 - 0P	i 2603 - 0SP	5 items

Accessories / Pictograms	Format in mm	Art. No.
"Vacant/occupied" slider	36 x 144	i 26fb144
Software for sign information		i software
Pictograms, design Otl Aicher single color on white paper	147,5 x 147,5	
Emergency / Fire safety symbols laser-printed on white paper	147,5 x 147,5	
	147,5 x 296,5	
Emergency / Fire safety symbols photoluminescent	147,5 x 147,5	
	147,5 x 296,5	

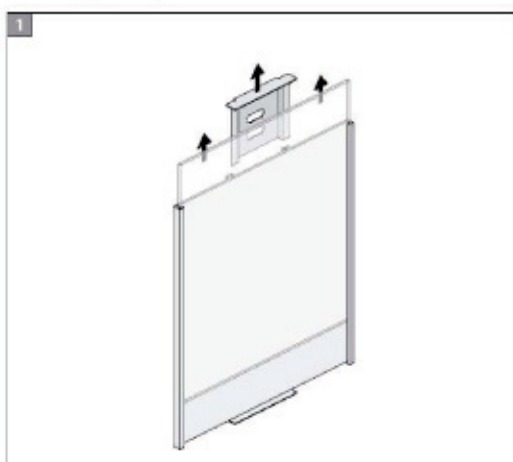
* Paper inlays are supplied in pure white or silver, blank for self-printing with laser or inkjet printers.

** Punched on DIN A4 sheet.

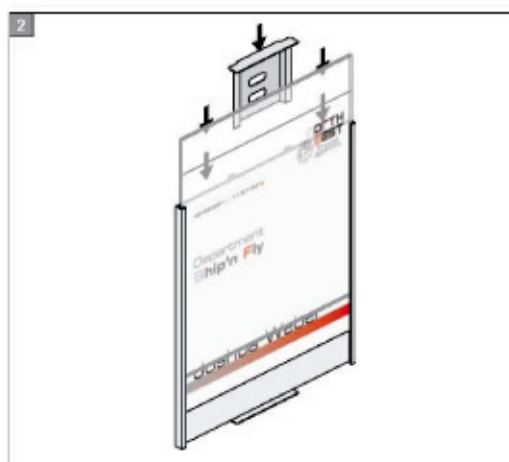


Extract from a wide range.
For further Otl Aicher pictograms, please refer to page 92 onwards.
For a selection of Emergency / Fire safety symbols, please refer to www.maedel.de.
For sign information in Braille / tactile lettering, please refer to page 90 onwards.

Inserting the sign information



Slide the acrylic cover out of the sign base together with the upper bracket.



Insert the paper and then fit the acrylic cover and the bracket back in place again.