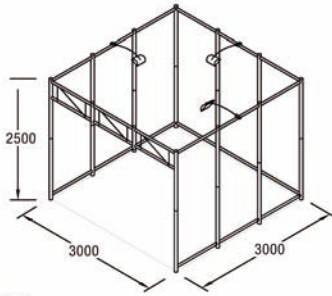
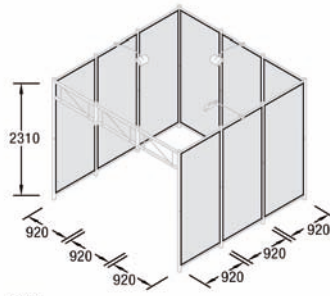


BASIC MODULES:

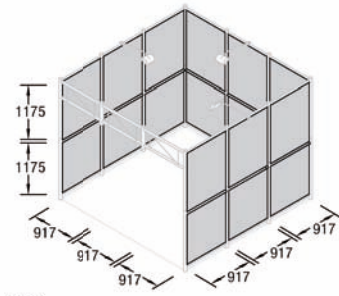
3x3 systems



Q 40
Construction set including 2 transport cases Q 501, Q 502 and lighting 230 V
weight: 176.37 lb/80.0 kg

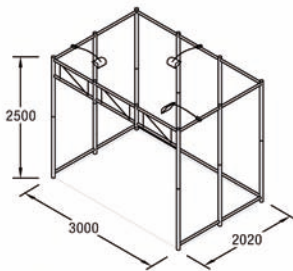


Q 41
Wall infill panel set "fabric", white, with inserted mounting profile
weight: 23.35 lb/11.5 kg

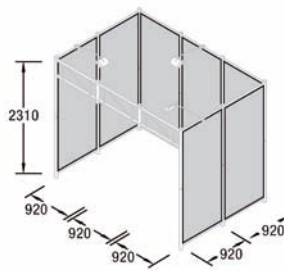


Q 42
Wall infill panel set, white, 3.2 mm, including 9 beams and transport case Q 503
weight: 178.57 lb/81.0 kg

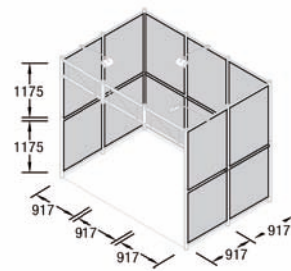
3x2 systems



Q 30
Construction set including transport case 2 x Q 502 and lighting 230 V
weight: 147.71 lb/67.0 kg

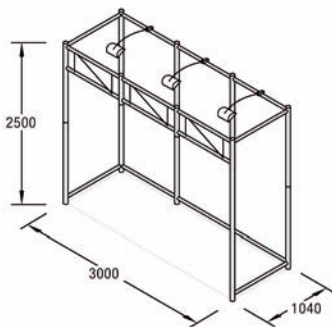


Q 31
Wall infill panel set "fabric", white, with inserted mounting profile
weight: 19.84 lb/9.0 kg

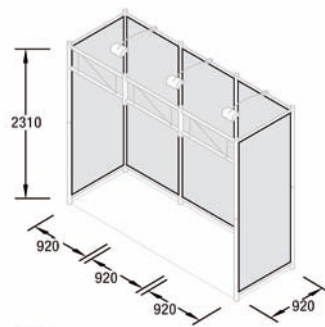


Q 32
Wall infill panel set, white, 3.2 mm, including 7 beams and wooden case
weight: 119.05 lb/54.0 kg

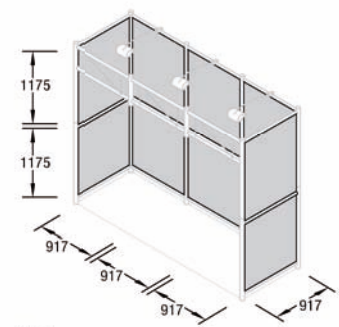
3x1 systems



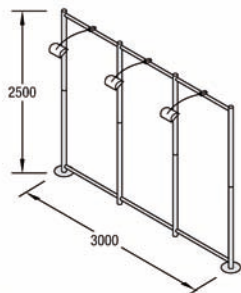
Q 20
Construction set including transport case 2 x Q 502 and lighting 230 V
weight: 120.15 lb/54.5 kg



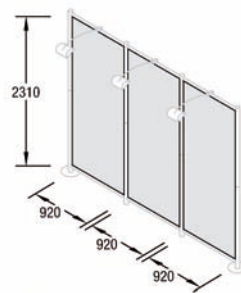
Q 21
Wall infill panel set "fabric", white, with inserted mounting profile
weight: 11.24 lb/5.1 kg



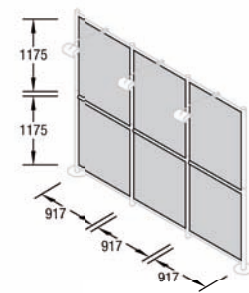
Q 22
Wall infill panel set, white, 3.2 mm, including 5 beams and wooden case
weight: 85.98 lb/39.0 kg



Q 10
Construction set including cardboard box and lighting 230 V
weight: 70.55 lb/32.0 kg



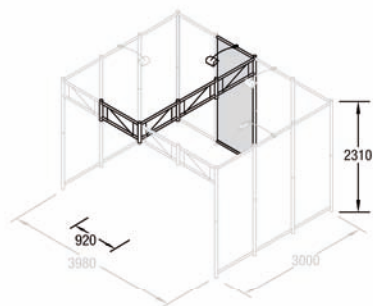
Q 11
Wall infill panel set "fabric", white, with inserted mounting profile
weight: 8.38 lb/3.8 kg



Q 12
Wall infill panel set, white, 3.2 mm, including 3 beams and wooden case
weight: 52.91 lb/24.0 kg

BASIC MODULES:

Stand size "4x3"*

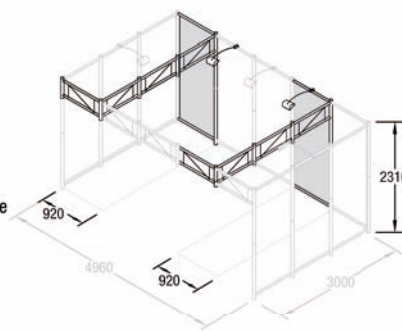


Q 40+Q 41
(already available)

Q 50
1x3 Extension set
Incl. transport case **Q 502**
and lighting.
weight: 55,12 lb/25.0 kg

Q 51
Wall infill panel set "fabric",
white, with incl. mounting profile
weight: 2.87 lb/1.3 kg

Stand size "5x3"*

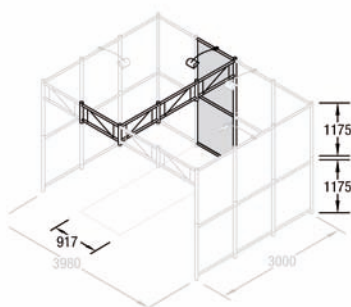


Q 40+Q 41
(already available)

2 x Q 50
1x3 Extension set Incl.
transport case **Q 502**
and lighting
weight: 110.23 lb/50.0 kg

2 x Q 51
Wall infill panel set "fabric",
white, with inserted mounting
profile weight: 5.73 lb/2.6 kg

Stand size "4x3"*

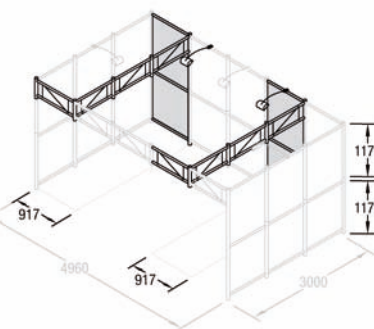


Q 40+Q 42
(already available)

Q 50
1x3 Extension set
Incl. transport case **Q 502**
and lighting
weight: 121.25 lb/25.0 kg

Q 52
Wall infill panel set "wood",
white, 3.2 mm Incl. 1 beam
and wooden case
weight: 17.64 lb/8.0 kg

Stand size "5x3"*



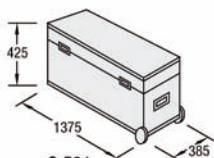
Q 40+Q 42
(already available)

2 x Q 50
1x3 Extension set Incl.
transport case **Q 502**
and lighting
weight: 110.23 lb/50.0 kg

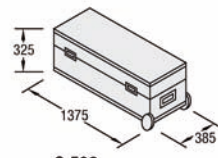
2 x Q 52
Wall infill panel set "wood",
white, 3.2 mm incl. 1 beam
and a wooden case
weight: 35.27 lb/16.0 kg

*For advice and other set ups, contact your local OCTANORM Display Partner.

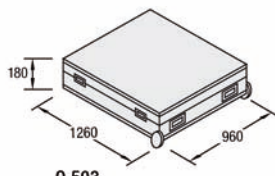
ACCESSORIES:



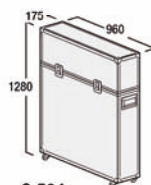
Q 501
Transport case
for beams and acces-
sories incl. in the
corresponding sets



Q 502
Transport case
for uprights and acces-
sories incl. in the
corresponding sets



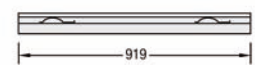
Q 503
Transport case for 3.2 mm
wood wall panels and
accessories incl. in wall
infill panel set **Q 42**



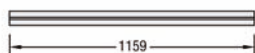
Q 504
Transport box with carry
handle and castors,
plastic / aluminium



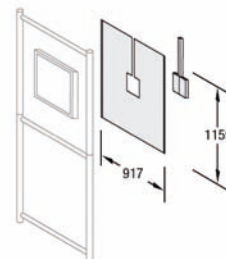
Q 370
Spotlight halogen
150 W / 230 V
incl. in all construction sets



Q 326
Inserted mounting
profile for fabric infill
panels incl. in wall infill
panel sets "fabric"

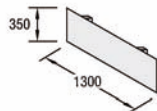


Q 316
Protecting profile for
3.2 mm thick panels
incl. in wall infill
panel sets "wood"

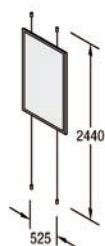


Q 305
Wall set for monitor

Q 99
Assembly tool set incl.
in all construction sets



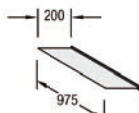
Q 70
Fascia set
wood, 10 mm,
white



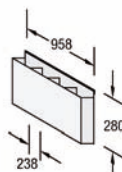
Q 90
Poster frame set
Placard size:
DIN A1



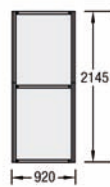
Q 91
Panel fixing
set



Q 80
shelf set



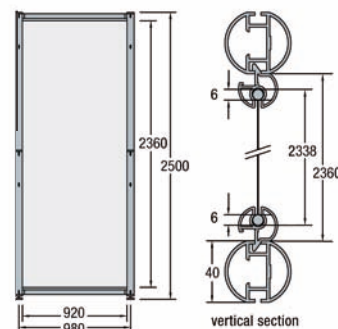
Q 81
Literature
holder set



Q 321
Turning door, DIN left aluminium/
wood infill, white, 4 mm, lockable,
unmounted set

TECH. INFORMATION:

WALL INFILL PANEL "FABRIC"*



WALL INFILL PANEL "WOOD"*

