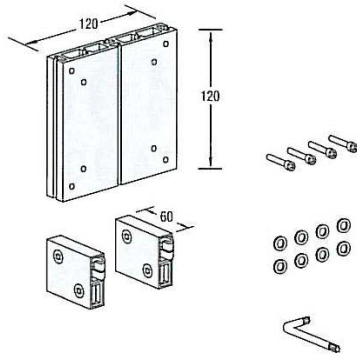
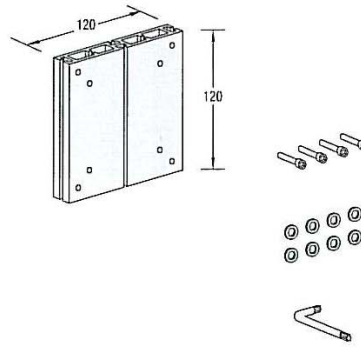


Vario

VARIO D2 SCREEN PRESENTATION BASIC MODULES:

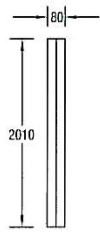


E 185
Screen-Adaptor

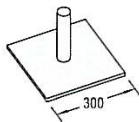


E 186
Screen-Adaptor

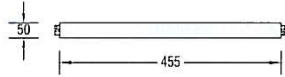
ACCESSORIES:



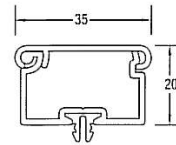
M 1049
Upright square,
4 grooves



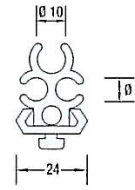
M 1406
Base Plate,
silver-grey



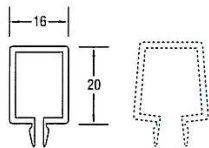
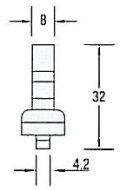
Z 415
Beam, tension lock on both sides
additional beams on request



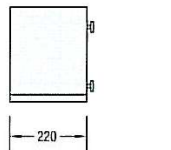
M 1485
Cable Way,
aluminium



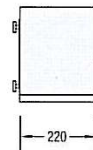
M 1488
Extrusion Clip
plastic



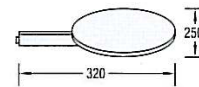
E 460
Cable Way,
plastic



VA 5036
Literature Dispenser
left



VA 5032
Literature Dispenser
right



VA 5076
Display Shelf
wood, silver

TECHNICAL INFORMATION:

