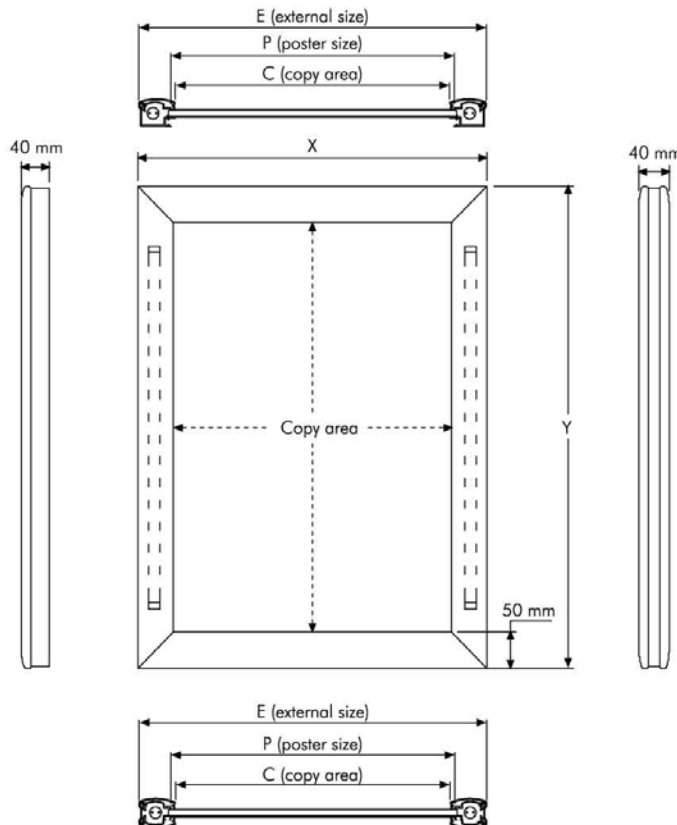
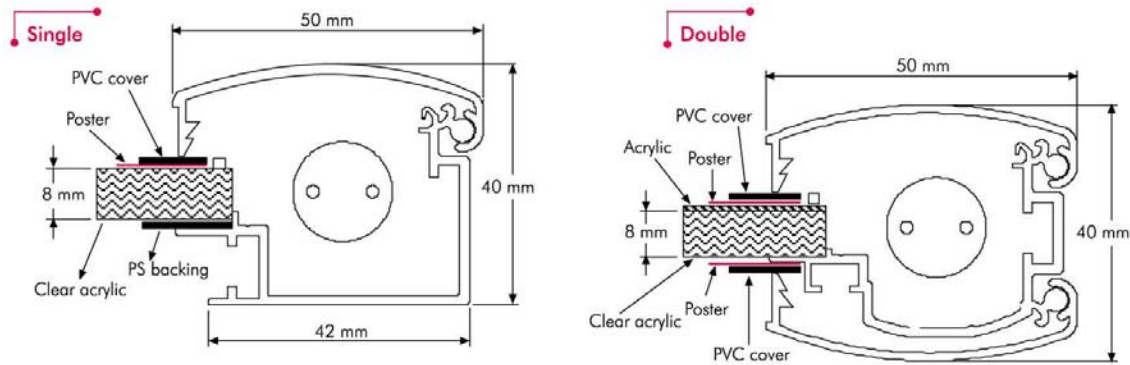


SNAP LIGHT

SNAP LIGHT

MATERIAL : Main body is silver anodised aluminium						WEIGHT		PACKING SIZE
SINGLE SIDED	DOUBLE SIDED	EXTERNAL (x-y)	POSTER	COPY	LIGHTING	WITHOUT PACKING	WITH PACKING	*W X H X D
USLT908NA3	USLC908NA3	384 X 507 mm	297 X 420 mm	287 X 410 mm	2 X 8 W	3,000 kg	3,500 kg	400 X 530 X 65 mm
USLT908NA2	USLC908NA2	507 X 681 mm	420 X 594 mm	410 X 584 mm	2 X 13 W	6,000 kg	7,000 kg	520 X 710 X 65 mm
USLT908NA1	USLC908NA1	681 X 928 mm	594 X 841 mm	584 X 831 mm	2 X 21 W	10,200 kg	11,400 kg	730 X 960 X 65 mm
USLT908NB2	USLC908NB2	587 X 787 mm	500 X 700 mm	490 X 690 mm	2 X 13 W	8,250 kg	9,100 kg	610 X 820 X 65 mm
USLT908NB1	USLC908NB1	787 X 1087 mm	700 X 1000 mm	690 X 990 mm	2 X 21 W	13,700 kg	14,800 kg	800 X 1120 X 65 mm
USLT908N23	USLC908N23	595 X 849 mm	508 X 762 mm	498 X 752 mm	2 X 13 W	9,000 kg	10,000 kg	610 X 880 X 65 mm
USLT908N34	USLC908N34	849 X 1103 mm	762 X 1016 mm	752 X 1006 mm	2 X 21 W	14,300 kg	15,700 kg	870 X 1150 X 65 mm

\*W:Width H: Height D: Depth



Comes a long with 2 m electrical cable & plug.  
 UK plug must be mentioned on order.  
 2 m Stromkabel mit Stecker ist angebracht.  
 UK Stecker muss in der Bestellung mitgeteilt werden.